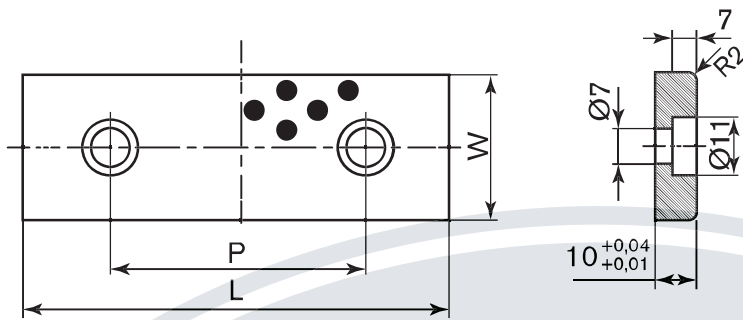


# Placa Bronce+Grafito PBGN

Material: Bronce + Grafito  
HB>190

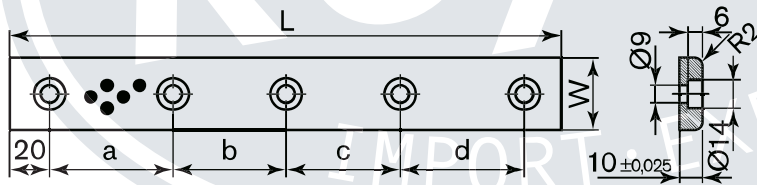
**A**



W	L	P
18	75	45
	100	50
	125	75
28	75	45
	100	50
	125	75
38	75	45
	100	50
	125	75
48	75	45
	100	50
	125	75

Forma de pedido: PLACA PBGN WxL

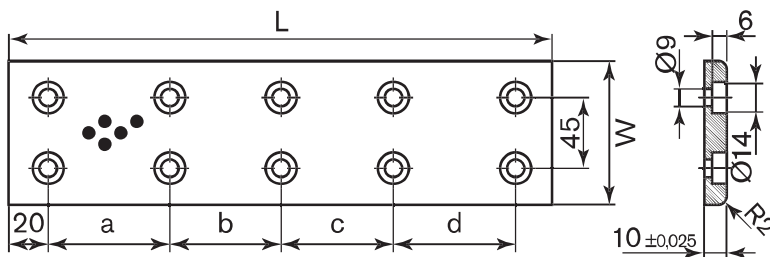
**B**



W	L	a	b	c	d
35	100	60	-	-	-
	150	55	55	-	-
	200	55	50	55	-
	250	70	70	70	-
	300	65	65	65	65
	350	80	75	75	80
50	100	60	-	-	-
	150	55	55	-	-
	200	55	50	55	-
	250	70	70	70	-
	300	65	65	65	65
	350	80	75	75	80

Forma de pedido: PLACA PBGN WxL

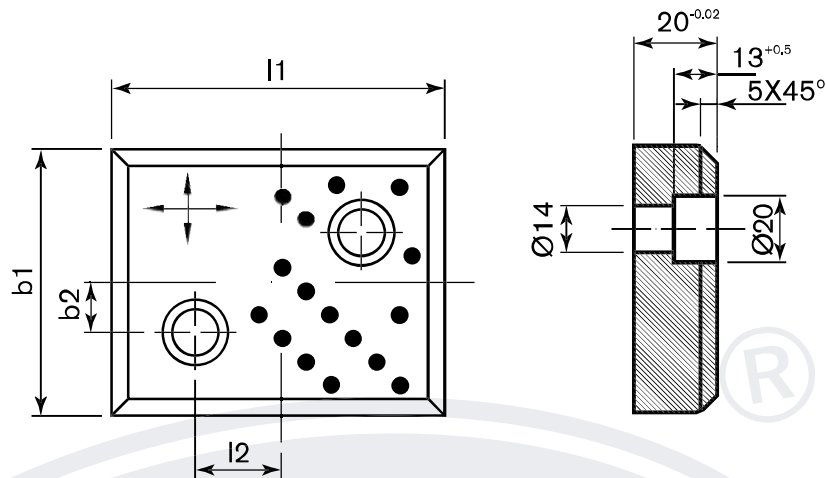
**C**



W	L	a	b	c	d
75	150	110	-	-	-
	200	80	80	-	-
	250	105	105	-	-
	300	85	90	85	-
	400	120	120	120	-
	500	115	115	115	115

Forma de pedido: PLACA PBGN WxL

## Placa Bronce+Grafito PBGG

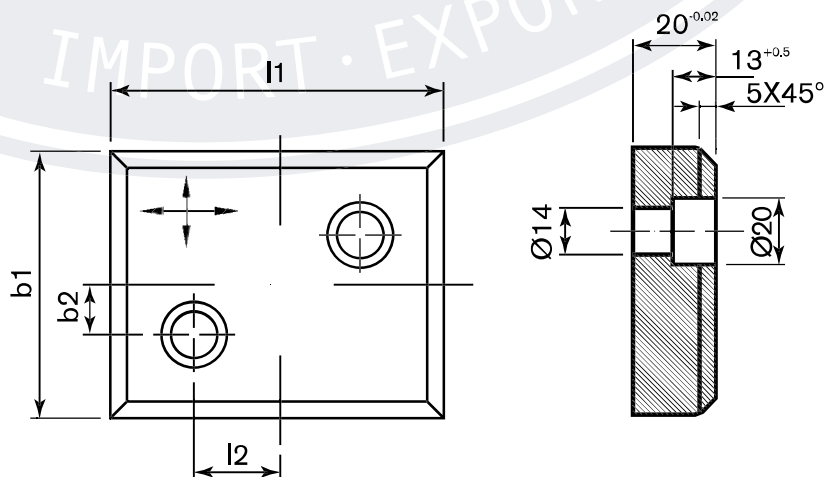


Material: Bronce + Grafito  
HB>190

b1 x l1	l2	b2	nº agujeros
80 x 100	25	15	2
80 x 125	37.5	15	2

Forma de pedido: PLACA PBGG b1xl1

## Placa Acero PACG



Material: 15 Ni Cr 11 cent. 0.6-0.8 SEGUN UNE 36013:1976

b1 x l1	l2	b2	nº agujeros
80 x 100	25	15	2
80 x 125	37.5	15	2

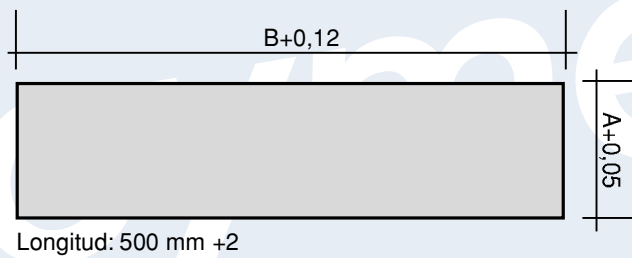
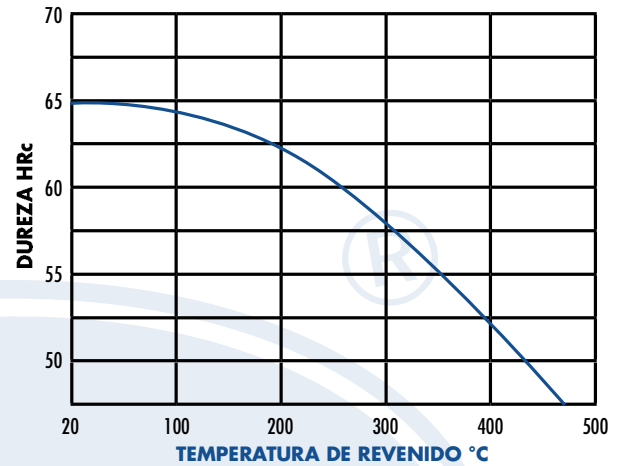
Forma de pedido: PLACA PACG b1xl1

# Placas de Acero Rectificado

Modelo F-522 - F-5220 - W - Nr. 1.2510 - AISI 01

COMPOSICIÓN:	C	Mn	Cr	W	V
%	<b>0.90</b>	<b>1.30</b>	<b>0.50</b>	<b>0.50</b>	<b>0.20</b>
TEMPLE: 790 ÷ 830°C en aceite					
DUREZA DE REVENIDO: 65 HRc					
Libre de Descarburación					
ESTADO DE SUMINISTRO: Recocido blando, aprox. 190 HB					

REVENIDO	DUREZA
°C	HRc
150	62
200	60-61
230	58-59
300	56-57



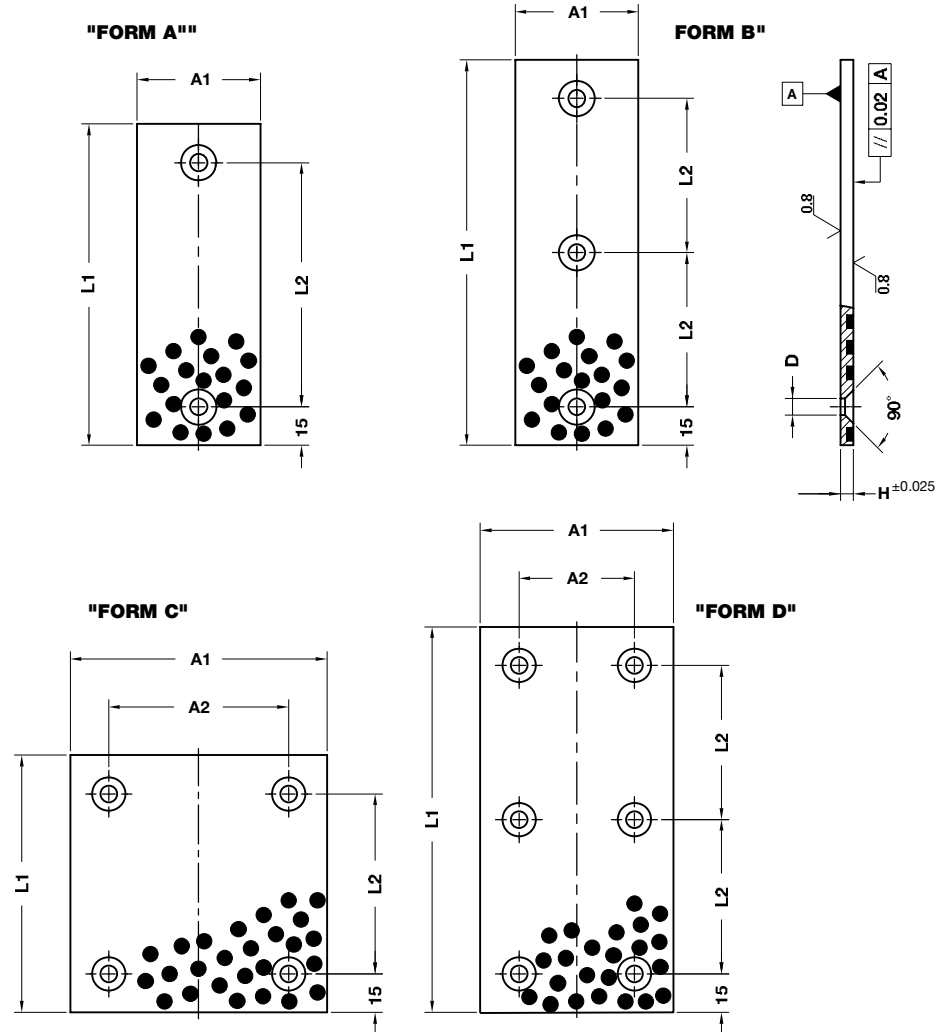
PLETINA	ESPESOR mm A													Código: 70190			
	ANCHO mm B	1	1,5	2	3	4	5	6	8	10	12	15	20		25	30	40
10	○	○	○	○	○	○	○	○	○								
15	○	○	○	○	○	○	○	○	○	○	○						
20	○	○	○	○	○	○	○	○	○	○	○	○					
25	○	○	○	○	○	○	○	○	○	○	○	○	○				
30	○	○	○	○	○	○	○	○	○	○	○	○	○	○			
40	○	○	○	○	○	○	○	○	○	○	○	○	○	○	○		
50	○	○	○	○	○	○	○	○	○	○	○	○	○	○	○	○	
60	○	○	○	○	○	○	○	○	○	○	○	○	○	○	○	○	○
70	○	○	○	○	○	○	○	○	○	○	○	○	○	○	○	○	○
75	○	○	○	○	○	○	○	○	○	○	○	○	○	○	○	○	○
80	○	○	○	○	○	○	○	○	○	○	○	○	○	○	○	○	○
100	○	○	○	○	○	○	○	○	○	○	○	○	○	○	○	○	○
125	○	○	○	○	○	○	○	○	○	○	○	○	○	○	○	○	○
150	○	○	○	○	○	○	○	○	○	○	○	○	○	○	○	○	○
200	○	○	○	○	○	○	○	○	○	○	○	○	○	○	○	○	○
250	○	○	○	○	○	○	○	○	○	○	○	○	○	○	○	○	○
300	○	○	○	○	○	○	○	○	○	○	○	○	○	○	○	○	○

CUADRADO	5	6	8	10	12	15	20	25	30	40	50
	○	○	○	○	○	○	○	○	○	○	○

Bajo demanda, se fabrican en diferentes dimensiones y materiales.

Forma de pedido: ARTÍCULO Y MEDIDAS AxB  
Ejemplo: PLACA DE ACERO RECTIFICADO F-522 DE 5x100

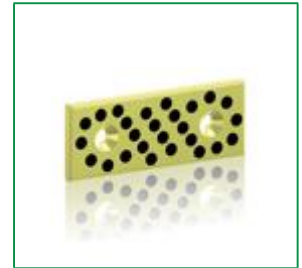
WEAR PLATE SELF-LUBRICATING  
GLEITPLATTE BRONZE MIT FESTSCHMIERSTOFF  
PIASTRA GUIDA AUTOLUBRIFICANTE



Note

Materials: Bronze + Graphite  
Hardness: HB > 190

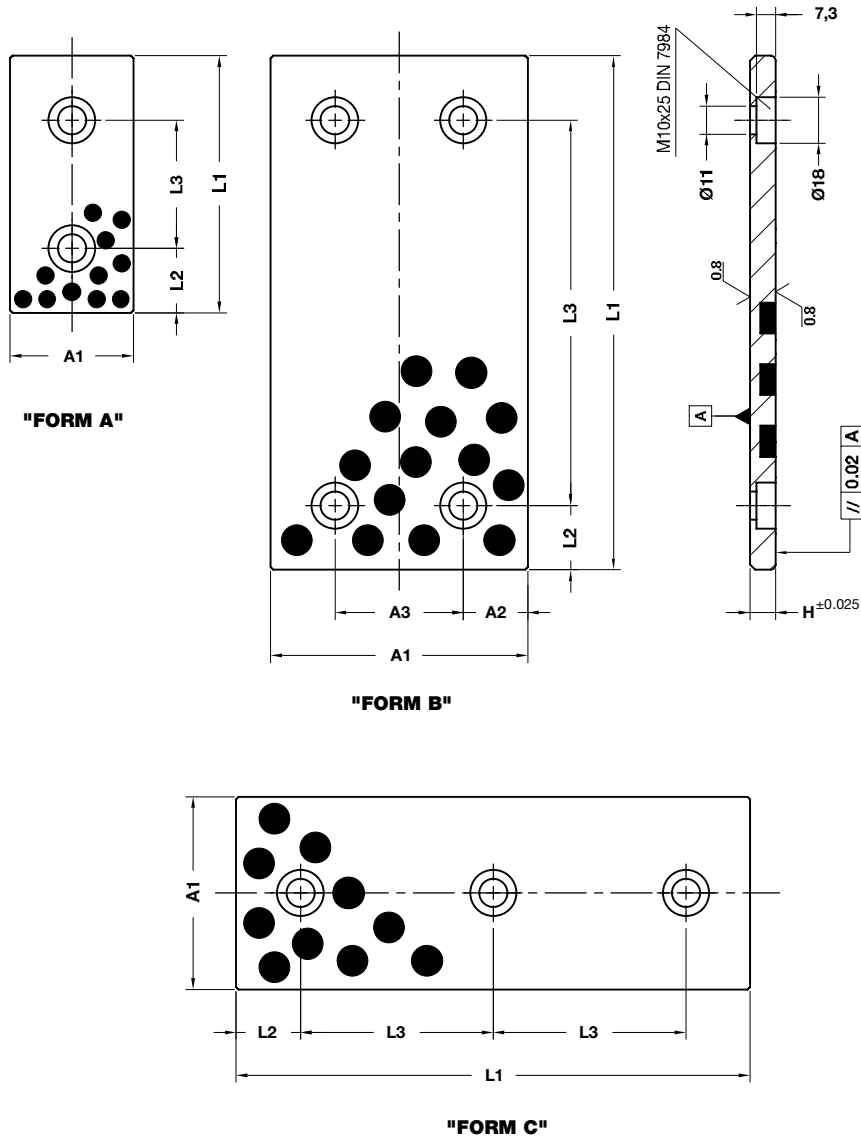
Screws not included



Art.	A1=48	H=5	L1=75
E40.04.	048	05	075

OMCR CODE	A1	H	A2	L1	L2	D	Form
E40.04.01805050	18	5	-	50	20	6,5	A
E40.04.01805075	18	5	-	75	45	6,5	A
E40.04.01805100	18	5	-	100	70	6,5	A
E40.04.01805150	18	5	-	150	60	6,5	B
E40.04.02805050	28	5	-	50	20	9	A
E40.04.02805075	28	5	-	75	45	9	A
E40.04.02805100	28	5	-	100	70	9	A
E40.04.02805150	28	5	-	150	60	9	B
E40.04.03805050	38	5	-	50	20	9	A
E40.04.03805075	38	5	-	75	45	9	A
E40.04.03805100	38	5	-	100	70	9	A
E40.04.03805150	38	5	-	150	60	9	B
E40.04.04805075	48	5	-	75	45	9	A
E40.04.04805100	48	5	-	100	70	9	A
E40.04.04805125	48	5	-	125	95	9	A
E40.04.04805150	48	5	-	150	60	9	B
E40.04.07505075	75	5	45	75	45	9	C
E40.04.07505100	75	5	45	100	70	9	C
E40.04.07505125	75	5	45	125	95	9	C
E40.04.07505150	75	5	45	150	60	9	D
E40.04.10005100	100	5	70	100	70	9	C
E40.04.10005125	100	5	70	125	95	9	C
E40.04.10005150	100	5	70	150	60	9	D

WEAR PLATE SELF-LUBRICATING  
FLACHLEISTE  
PIASTRA GUIDA AUTOLUBRIFICANTE



**Note**

**Materials:** Bronze + Graphite  
**Hardness:** HB > 190

Screws not included

**STOCK**

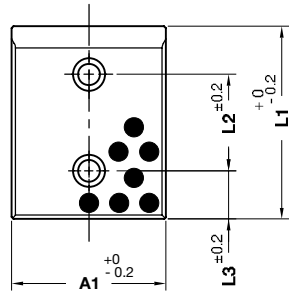
For A1=28 and 38

From A1=48 to A1=150

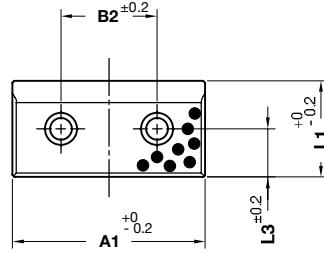
ORDER EXAMPLE	Art.	A1=48	H=10	L1=100
	E40.05	048	10	100

OMCR CODE	A1	A2	A3	L1	L2	L3	H	Form
E40.05.02810075	28	-	-	75	15	45	10	A
E40.05.02810100	28	-	-	100	25	50	10	A
E40.05.02810125	28	-	-	125	25	75	10	A
E40.05.02810150	28	-	-	150	25	100	10	A
E40.05.03810075	38	-	-	75	15	45	10	A
E40.05.03810100	38	-	-	100	25	50	10	A
E40.05.03810125	38	-	-	125	25	75	10	A
E40.05.03810150	38	-	-	150	25	100	10	A
E40.05.04810075	48	-	-	75	15	45	10	A
E40.05.04810100	48	-	-	100	25	50	10	A
E40.05.04810125	48	-	-	125	25	75	10	A
E40.05.04810150	48	-	-	150	25	100	10	A
E40.05.04810200	48	-	-	200	50	100	10	A
E40.05.05810075	58	-	-	75	15	45	10	A
E40.05.05810100	58	-	-	100	25	50	10	A
E40.05.05810125	58	-	-	125	25	75	10	A
E40.05.05810150	58	-	-	150	25	100	10	A
E40.05.05810200	58	-	-	200	50	100	10	A
E40.05.07510075	75	-	-	75	15	45	10	A
E40.05.07510100	75	-	-	100	25	50	10	A
E40.05.07510125	75	-	-	125	25	75	10	A
E40.05.07510150	75	-	-	150	25	100	10	A
E40.05.07510200	75	-	-	200	25	75	10	C
E40.05.10010100	100	25	50	100	25	50	10	B
E40.05.10010125	100	25	50	125	25	75	10	B
E40.05.10010150	100	25	50	150	25	100	10	B
E40.05.10010200	100	25	50	200	25	150	10	B
E40.05.10010250	100	25	50	250	25	200	10	B
E40.05.12510150	125	37,5	50	150	25	100	10	B
E40.05.12510200	125	37,5	50	200	25	150	10	B
E40.05.12510250	125	37,5	50	250	25	200	10	B
E40.05.15010150	150	25	100	150	25	100	10	B
E40.05.15010200	150	25	100	200	25	150	10	B

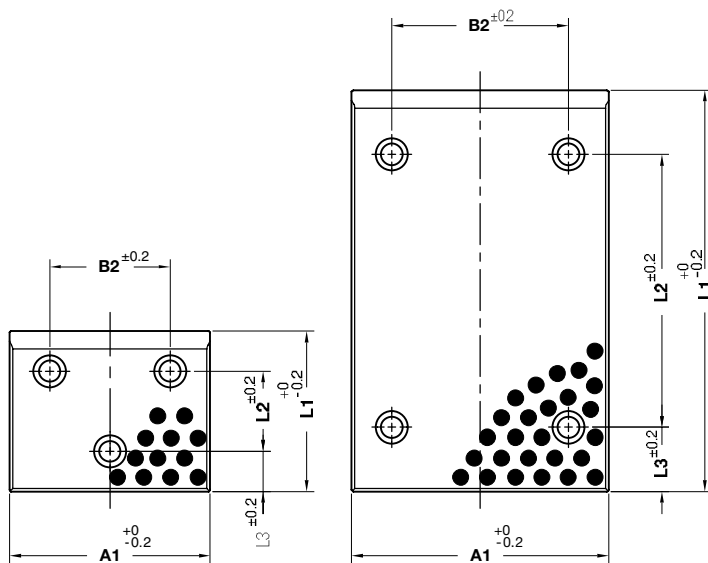
WEAR PLATE SELF-LUBRICATING VDI 3357  
 GLEITPLATTE BRONZE MIT FESTSCHMIERSTOFF VDI 3357  
 PIASTRA GUIDA AUTOLUBRIFICANTE VDI 3357



"FORM A"

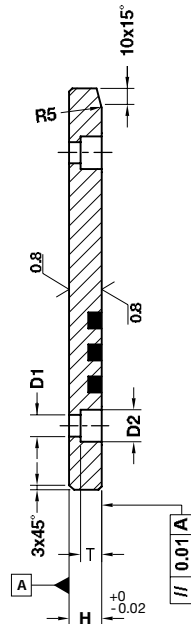


FORM B"



"FORM C"

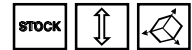
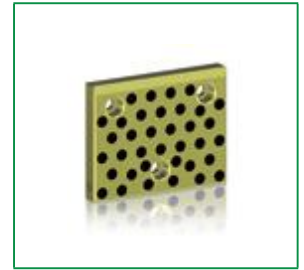
FORM D"



Note

Materials: Bronze + Graphite  
 Hardness: HB > 190

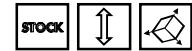
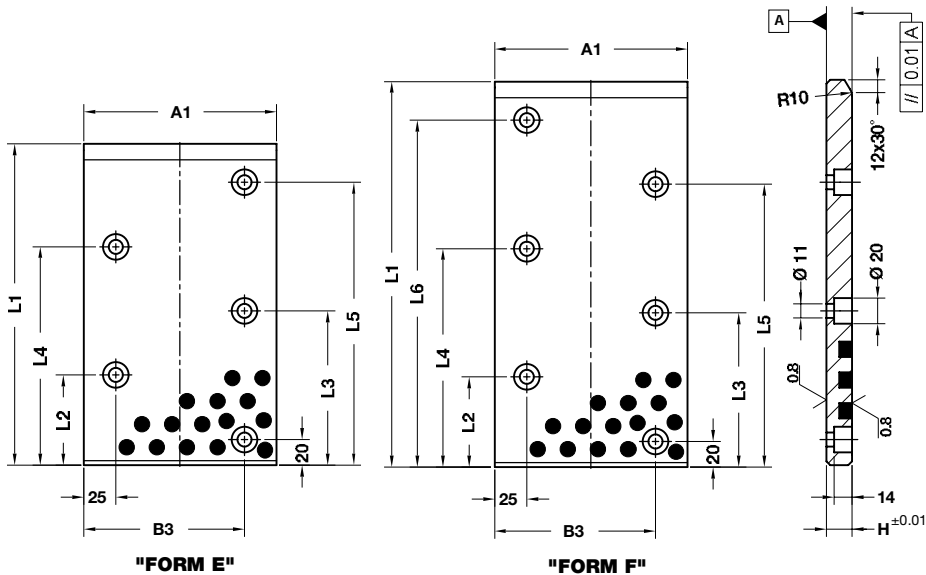
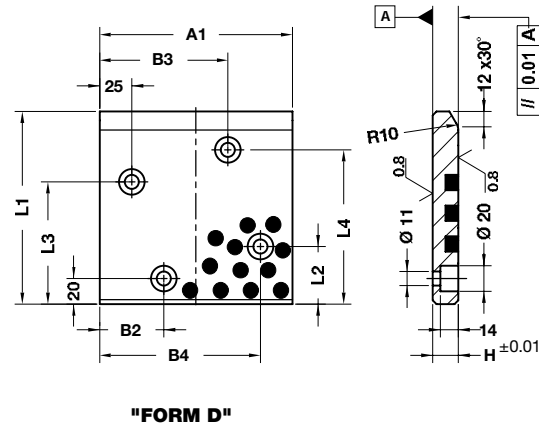
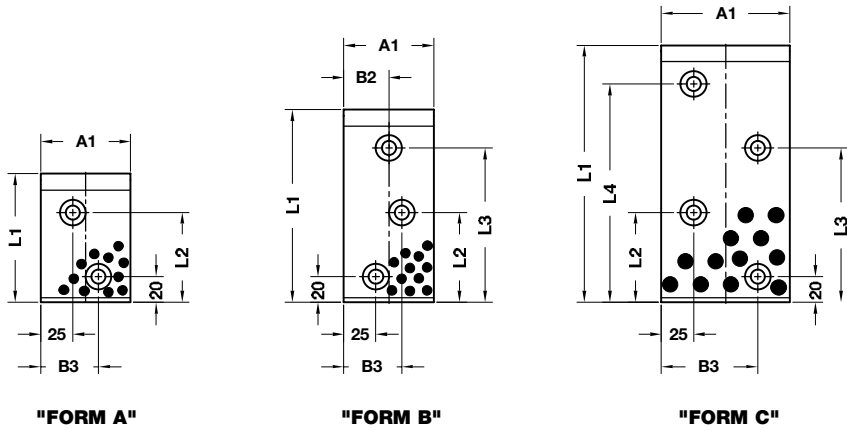
Screws not included



ORDER REFERENCE	Art.	A1=125	H=20	L1=50
	E40.12	125	20	050

OMCR CODE	A1	H	L1	B2	L2	L3	D1	D2	T	Form
E40.12.05020080	50	20	80	-	30	25	9	15	9	A
E40.12.05020100	50	20	100	-	50	25	13,5	20	13	A
E40.12.05020125	50	20	125	-	75	25	13,5	20	13	A
E40.12.05020160	50	20	160	-	110	25	13,5	20	13	A
E40.12.05020200	50	20	200	-	150	25	13,5	20	13	A
E40.12.08020050	80	20	50	30	-	25	9	15	9	B
E40.12.08020080	80	20	80	-	30	25	13,5	20	13	A
E40.12.08020100	80	20	100	-	50	25	13,5	20	13	A
E40.12.08020125	80	20	125	-	75	25	13,5	20	13	A
E40.12.08020160	80	20	160	-	110	25	13,5	20	13	A
E40.12.08020200	80	20	200	-	150	25	13,5	20	13	A
E40.12.10020050	100	20	50	50	-	25	13,5	20	13	B
E40.12.10020080	100	20	80	50	-	40	13,5	20	13	B
E40.12.10020100	100	20	100	-	50	25	13,5	20	13	A
E40.12.10020125	100	20	125	-	75	25	13,5	20	13	A
E40.12.10020160	100	20	160	-	110	25	13,5	20	13	A
E40.12.10020200	100	20	200	-	150	25	13,5	20	13	A
E40.12.10020250	100	20	250	-	170	40	13,5	20	13	A
E40.12.10020315	100	20	315	-	235	40	13,5	20	13	A
E40.12.12520050	125	20	50	75	-	25	13,5	20	13	B
E40.12.12520080	125	20	80	75	-	40	13,5	20	13	B
E40.12.12520100	125	20	100	75	50	25	13,5	20	13	C
E40.12.12520125	125	20	125	75	75	25	13,5	20	13	C
E40.12.12520160	125	20	160	75	110	25	13,5	20	13	C
E40.12.12520200	125	20	200	75	150	25	13,5	20	13	C
E40.12.12520250	125	20	250	75	170	40	13,5	20	13	C
E40.12.12520315	125	20	315	75	235	40	13,5	20	13	C
E40.12.16020050	160	20	50	110	-	25	13,5	20	13	B
E40.12.16020080	160	20	80	110	-	40	13,5	20	13	B
E40.12.16020100	160	20	100	110	50	25	13,5	20	13	C
E40.12.16020125	160	20	125	110	75	25	13,5	20	13	C
E40.12.16020160	160	20	160	110	110	25	13,5	20	13	C
E40.12.16020200	160	20	200	110	150	25	13,5	20	13	C
E40.12.16020250	160	20	250	110	170	40	13,5	20	13	D
E40.12.16020315	160	20	315	110	235	40	13,5	20	13	D

WEAR PLATE SELF-LUBRICATING AFNOR  
GLEITPLATTE BRONZE MIT FESTSCHMIERSTOFF AFNOR  
PIASTRA GUIDA AUTOLUBRIFICANTE AFNOR



**Note**  
Materials: Bronze + Graphite  
Hardness: HB > 190  
Screws not included

ORDER EXAMPLE	Art.	A1=100	H=20	L1=150
	E40.14	100	20	150

OMCR CODE	A1	H	L1	B2	B3	B4	L2	L3	L4	L5	L6	Form
E40.14.07020100	70	20	100	-	45	-	70	-	-	-	-	A
E40.14.07020150	70	20	150	35	45	-	70	120	-	-	-	B
E40.14.07020200	70	20	200	-	45	-	70	120	170	-	-	C
E40.14.10020100	100	20	100	55	75	-	45	70	-	-	-	G
E40.14.10020150	100	20	150	-	75	-	45	95	120	-	-	C
E40.14.10020200	100	20	200	-	75	-	70	120	170	-	-	C
E40.14.10020250	100	20	250	-	75	-	70	120	170	220	-	E
E40.14.10020300	100	20	300	-	75	-	70	120	170	220	270	F
E40.14.15020100	150	20	100	50	100	125	70	-	-	-	-	H
E40.14.15020150	150	20	150	50	100	125	45	95	120	-	-	D
E40.14.15020200	150	20	200	-	125	-	70	120	170	-	-	C
E40.14.15020250	150	20	250	-	125	-	70	120	170	220	-	E
E40.14.15020300	150	20	300	-	125	-	70	120	170	220	270	F
E40.14.20020100	200	20	100	75	125	175	70	-	-	-	-	H