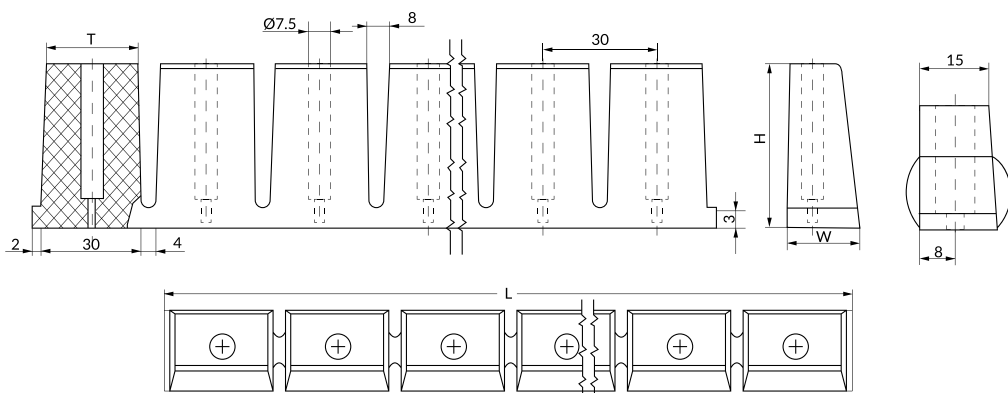


DESPEGADORES DE ELASTÓMERO DESC STRIPPER BAR DESC

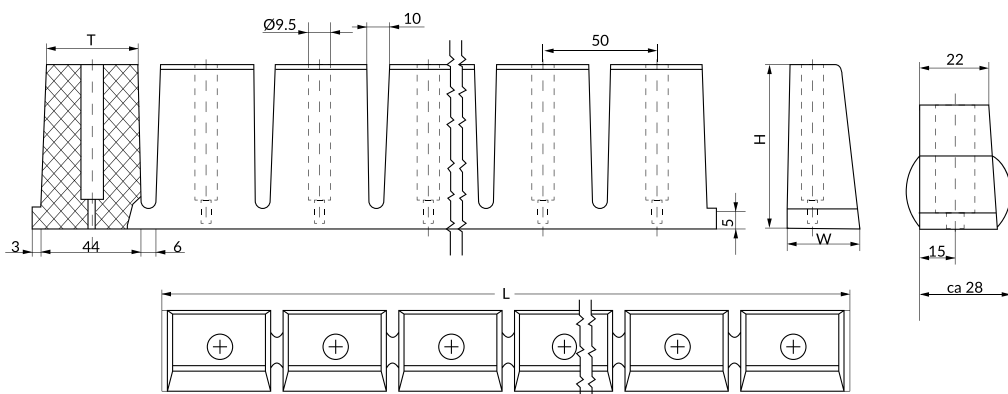
STOCK



Form A



Form B



W	H	L	T	Material	Hardness	Form	Nº of segments
19	27	306	26	NBR	70 Shore A	A	9
32	65	400	40	Polyurethane	90 Shore A	B	8

How to order: DESC + W*L