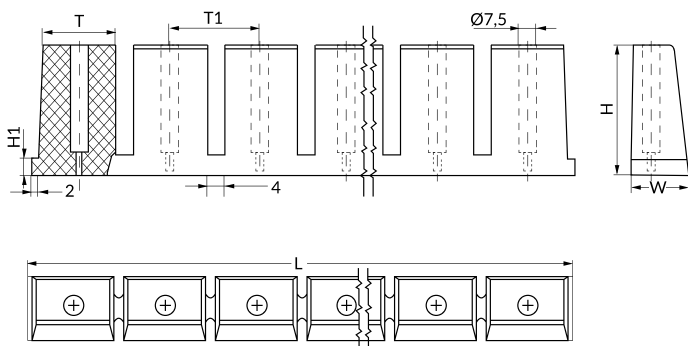


DESPEGADORES DE ELASTÓMERO DESR STRIPPER BAR DESR

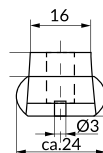
Material: NBR

Dureza / Hardness: 70 Shore A

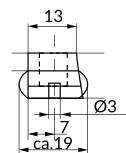
STOCK



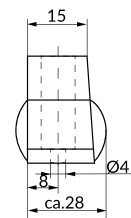
Form A



Form B



Form C



W	H	L	T	H1	T1	Form	Nº of segments
19	16,6	270	26	3	30	A	9
15	11,5	270	26	4	34	B	9
19	27	306	30	3	30	C	9

How to order: DESR + W*L