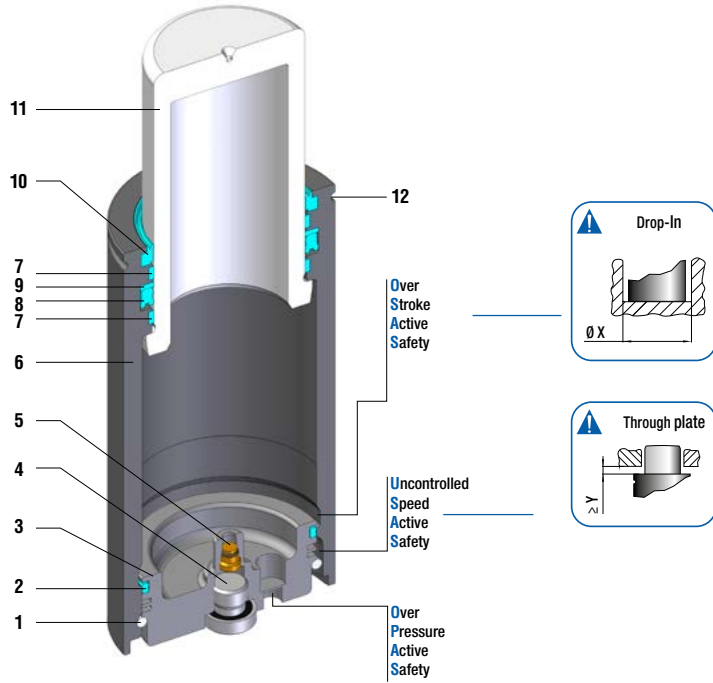


CILINDRO ML
GAS SPRING ML
RESSORT À GAZ ML

STOCK



Model	Body Ø	Stroke Cu	Initial force F0	OSAS	USAS	OPAS	SKUDO	SW (optional)
	mm	mm	daN					
ML 300	25	10 - 80	310	•	•	-	-	•
ML 500	32	10 - 80	510	•	•	-	-	•
ML 100	38	10 - 80	980	•	•	•	-	•
ML 1800	50	15 - 80	1925	•	•	•	-	•
ML 3000	63	15 - 80	3180	•	•	•	-	•
ML 4700	75	15 - 80	4925	•	•	•	-	•

1	Anillo de retención / Retaining ring / Bague de retenue
2	Anillo dual / Dual ring seal / Bague à double joints
3	Base inferior / Bottom base / Base inférieure
4	Tapón / Plug / Bouchon
5	Válvula / Valve / Valve
6	Cuerpo / Body / Corp
7	Anillo guía / Guide ring / Bague de guidage
8	Anillo de retención / Retaining ring / Bague de retenue
9	Anillo antiextrusión / Back-up ring / Bague de secours
10	Rascador / Rod wiper / Racleur de tige
11	Vástago (nitruado) / Rod (nitrited super finished) / Tige (nitrité super fini)
12	Ranura para el rascador secundario / Groove for secondary wiper / Rainure pour racleur secondaire

CILINDRO ML 3000
GAS SPRING ML 3000
RESSORT À GAZ ML 3000



SW

Active safety



OSAS



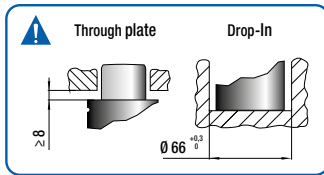
USAS



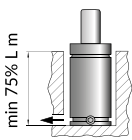
OPAS

* F_{1i} =
 Isothermal end
 force at 100% Cu

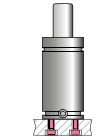
* F_{1p} =
 Polytropic end
 force at 100% Cu



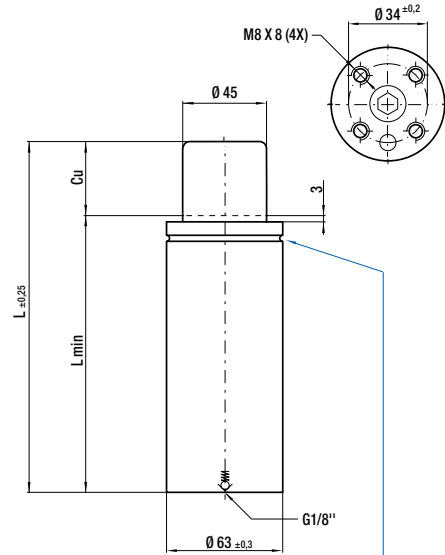
Assembly recommendation



Drop-in



Bottom mount



⚠ Not for mounting

		ΔP ± 0,33 % / °C	P max 200 bar	P min 20 bar	S 15,90 cm ²	SPM ~40 -80 (at 20°)	Max Speed 1,6 m/s	Maintenance kit 39BMMML03000C
--	--	-----------------------------	------------------	-----------------	----------------------------	----------------------------	----------------------	----------------------------------

Code	Cu	L	L min	F0 Initial force	F _{1i} End force*	F _{1p} End force*	V0	
	mm	mm	mm	daN	daN	daN	cm ³ / ~Kg	
ML 3000 015	15	100	85	3180	4461	5023	105 1,25	•
ML 3000 025	25	120	95	± 5%	5013	5781	136 1,38	•
ML 3000 038	38	150	112	200 bar	5362	6269	184 1,57	•
ML 3000 050	50	180	130		5491	6452	233 1,78	•
ML 3000 063	63	210	147	+20°C	5658	6690	282 1,98	•
ML 3000 080	80	250	170		5793	6882	347 2,24	•

How to order: Code