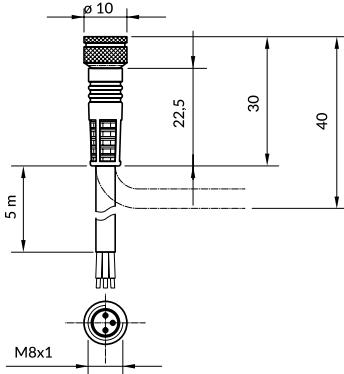


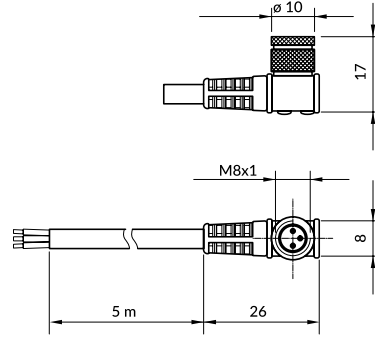
CONECTOR CON CONNECTOR CON



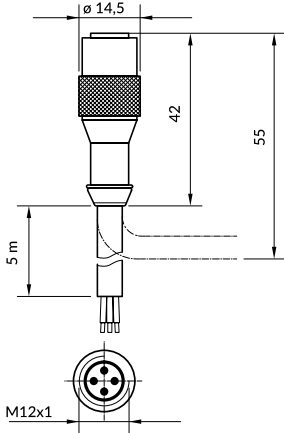
FORM A



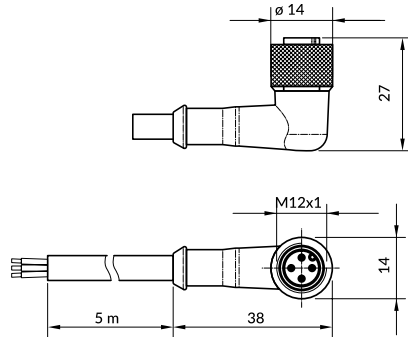
FORM B



FORM C



FORM D



Reference	Form
CON-A	A
CON-B	B
CON-C	C
CON-D	D

How to order: CON + Form