

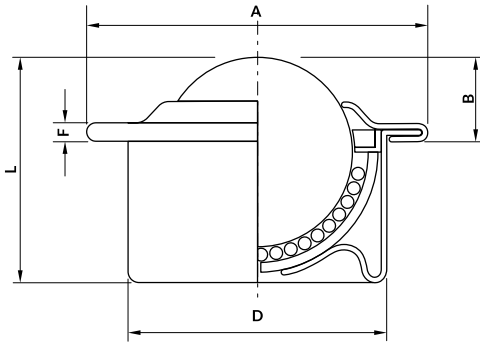
BOLA TRANSPORTADORA BT
TRANSPORTATION BALL BT

Material: Bola de acero al carbono y carcasa zincada / Carbon steel bearing and zinc plated pressing

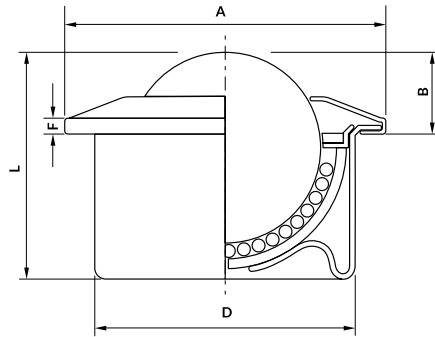
STOCK



BT0



BT4



Reference	Ball diameter (mm)	Dimensions (mm)					Maximum dynamic loading (Kg)	
		A	B	D	F	L	Weight (Kg)	Capacity (Kg)
BT0-15	15,80	31,00	9,5±0,2	24±0,065	2,80	21,00	0,04	60,00
BT4-15								
BT0-22	22,20	45,00	9,8±0,2	36±0,08	2,80	30,00	0,13	160,00
BT4-22								
BT0-30	30,00	55,00	13,8±0,3	45±0,08	4,00	37,00	0,28	300,00
BT4-30								
BT0-45	44,50	75,00	19±0,4	62±0,095	4,00	53,50	0,73	610,00
BT4-45								

How to order: Reference