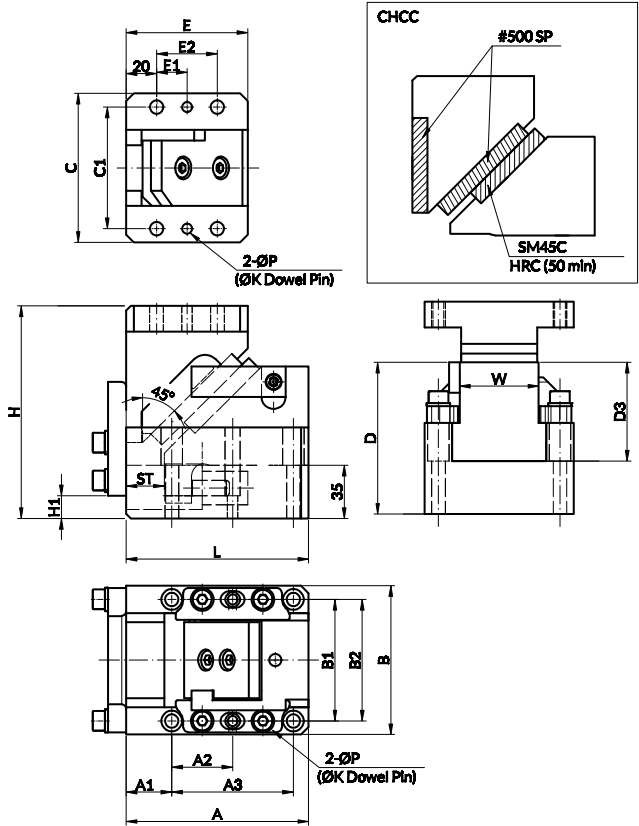


CARROS DE BASE CIOM
DIE MOUNTED CAM UNITS CIOM



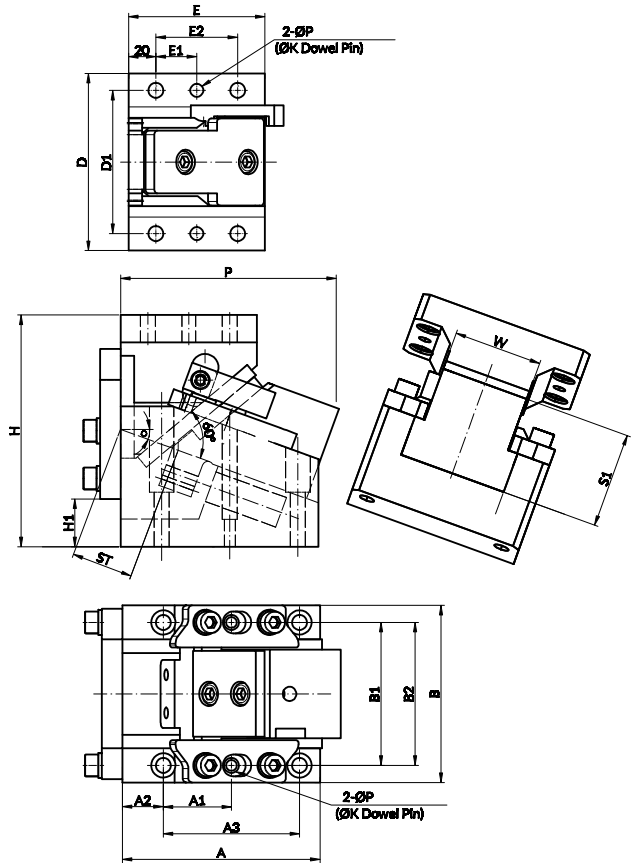
CIOM 52 - 65

Mounting Method
N: Pin hole (ØK H7)

CODE	W Working Face Width	ST Stroke	B	L	H	D	D3	H1	A	A1	A2	A3	B1	B2	E	C	C1	E1	E2	P	K	Spring	
																						Max Work Force	Extraction Force
	mm	mm	mm	mm	mm	mm	mm	mm	mm	mm	mm	mm	mm	mm	mm	mm	mm	mm	mm	mm	mm	kN	kN
CIOM.52x25	52	25	98	120	140	100	65	15	120	300	40	80	80	80	80	98	80	20	40	7	8	38	0,62
CIOM.52x40	52	40	98	135	140	100	65	15	135	300	50	95	80	80	90	98	80	25	50	7	8	38	0,63
CIOM.52x60	52	60	98	180	140	100	65	15	180	300	25	140	80	80	110	98	80	35	70	7	8	38	0,65
CIOM.65x40	65	40	130	140	160	115	70	30	145	30	50	100	105	105	100	130	105	30	60	9	10	44	0,79
CIOM.65x60	65	60	130	190	160	115	70	30	180	40	65	125	105	105	110	130	105	35	70	9	10	44	0,8

How to order: Code + W x ST

CARROS DE BASE CIOM
DIE MOUNTED CAM UNITS CIOM



CIOM 65

Mounting Method
N: Pin hole (ØK H7)

CODE	W Working Face Width	ST Stroke	θ Grades	P	B	H	D	S1	H1	B1	B2	A	A1	A2	A3	D1	E	E1	Max Work Force	Spring	
																				Extraction Force	
	mm	mm	°	mm	mm	mm	mm	mm	mm	mm	mm	mm	mm	mm	mm	mm	mm	mm	mm	kN	kN
CIOM.65x5x45	65	5	45	150,5	130	155	130	70	20	105	105	145	50	30	100	105	100	30	48	0,78	
CIOM.65x10x45	65	10	45	155	130	160	130	70	25	105	105	145	49	30	100	105	100	30	48	0,78	
CIOM.65x15x45	65	15	45	158,2	130	165	130	70	30	105	105	145	50	30	100	105	100	30	48	0,78	
CIOM.65x20x45	65	20	45	160,2	130	170	130	70	35	105	105	145	50	30	100	105	100	30	48	0,78	
CIOM.65x30x45	65	30	45	160,6	130	180	130	70	55	105	105	145	50	30	100	105	100	30	48	-	
CIOM.65x5x70	65	5	70	195,5	130	170	130	70	30	105	105	180	25	40	125	105	95	27,5	48	1,02	
CIOM.65x10x70	65	10	70	199,4	130	170	130	70	30	105	105	180	25	40	125	105	100	30	48	1,02	
CIOM.65x15x70	65	15	70	201,8	130	170	130	70	35	105	105	180	25	40	125	105	105	32,5	48	1,02	
CIOM.65x20x70	65	20	70	202,5	130	170	130	70	45	105	105	180	25	40	125	105	110	35	48	0,02	
CIOM.65x30x70	65	30	70	199,7	130	170	130	70	55	105	105	180	25	40	125	105	120	40	48	-	

How to order: Code + W x ST