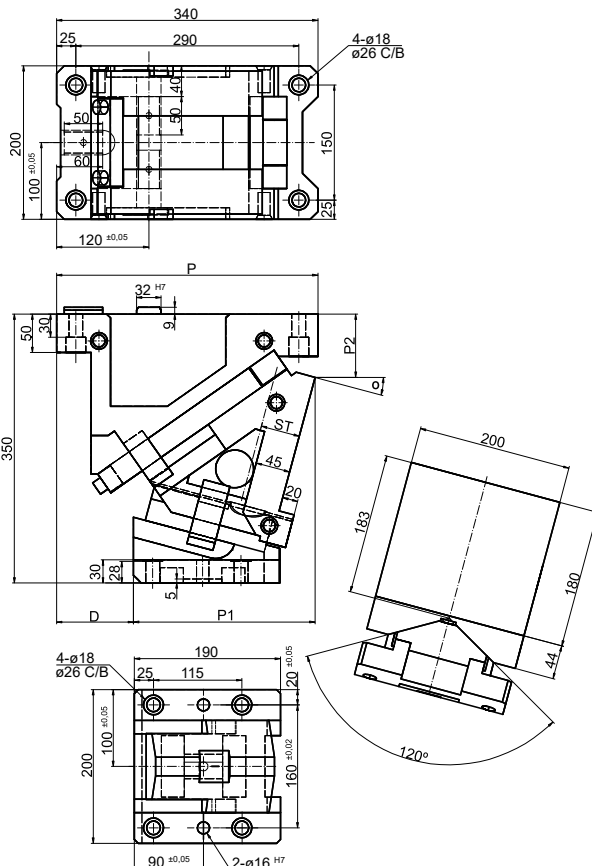


**CARROS AÉREOS CSBM**  
**AERIAL CAM UNITS CSBM**



**CSBM 200**

**Mounting Method**

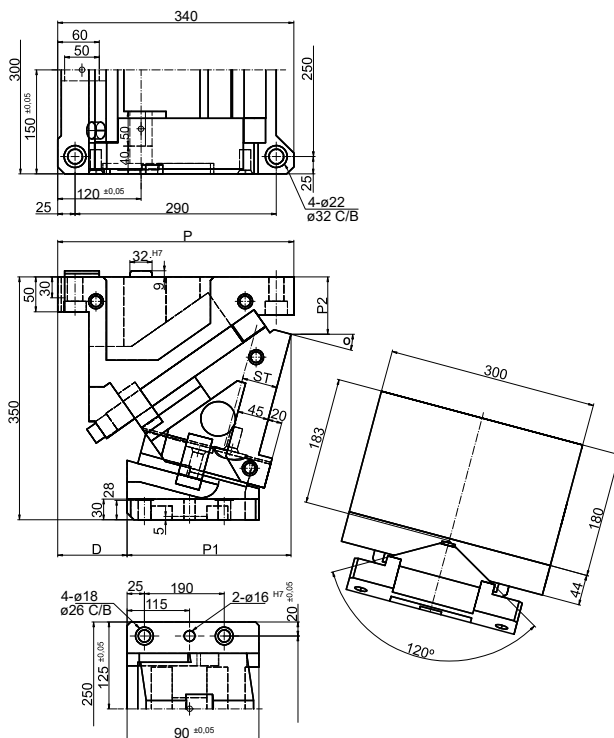
K: Key width 32 mm assemble

| Code        | W<br>Working Face<br>mm | θ<br>Working Angle<br>° | ST<br>Stroke<br>mm | P<br>mm | P1<br>mm | P2<br>mm | D<br>mm | Spring               |                        |
|-------------|-------------------------|-------------------------|--------------------|---------|----------|----------|---------|----------------------|------------------------|
|             |                         |                         |                    |         |          |          |         | Max Work Force<br>kN | Extraction Force<br>kN |
| CSBM.200x0  | 200                     | 0                       | 38,6               | 313     | 175      | 58       | 138     | 302                  | 2,73                   |
| CSBM.200x5  | 200                     | 5                       | 42,6               | 320,64  | 195,64   | 64,34    | 125     | 302                  | 2,73                   |
| CSBM.200x10 | 200                     | 10                      | 46,7               | 331,08  | 216,08   | 72,47    | 115     | 302                  | 2,73                   |
| CSBM.200x15 | 200                     | 15                      | 50,9               | 336,17  | 236,17   | 83,37    | 100     | 302                  | 2,73                   |
| CSBM.200x20 | 200                     | 20                      | 55,3               | 340,76  | 255,76   | 94       | 85      | 302                  | 2,73                   |
| CSBM.200x25 | 200                     | 25                      | 60                 | 344,69  | 274,69   | 102,32   | 70      | 302                  | 2,73                   |
| CSBM.200x30 | 200                     | 30                      | 65,1               | 347,83  | 292,83   | 112,25   | 55      | 302                  | 2,73                   |
| CSBM.200x35 | 200                     | 35                      | 70,8               | 355,03  | 310,03   | 123,73   | 45      | 302                  | 2,73                   |
| CSBM.200x40 | 200                     | 40                      | 77,1               | 351,17  | 326,17   | 136,66   | 25      | 302                  | 2,73                   |
| CSBM.200x45 | 200                     | 45                      | 84,5               | 356,12  | 341,12   | 150,95   | 15      | 302                  | 2,73                   |
| CSBM.200x50 | 200                     | 50                      | 93,3               | 348,77  | 354,77   | 161,49   | -6      | 302                  | 2,73                   |
| CSBM.200x55 | 200                     | 55                      | 104,6              | 352,01  | 367,01   | 178,84   | -15     | 302                  | 2,12                   |
| CSBM.200x60 | 200                     | 60                      | 120                | 332,75  | 377,75   | 195,83   | -45     | 302                  | 2,12                   |

Continue next page...

How to order: Code + W x θ

## CARROS AÉREOS CSBM AERIAL CAM UNITS CSBM



### CSBM 300

#### Mounting Method

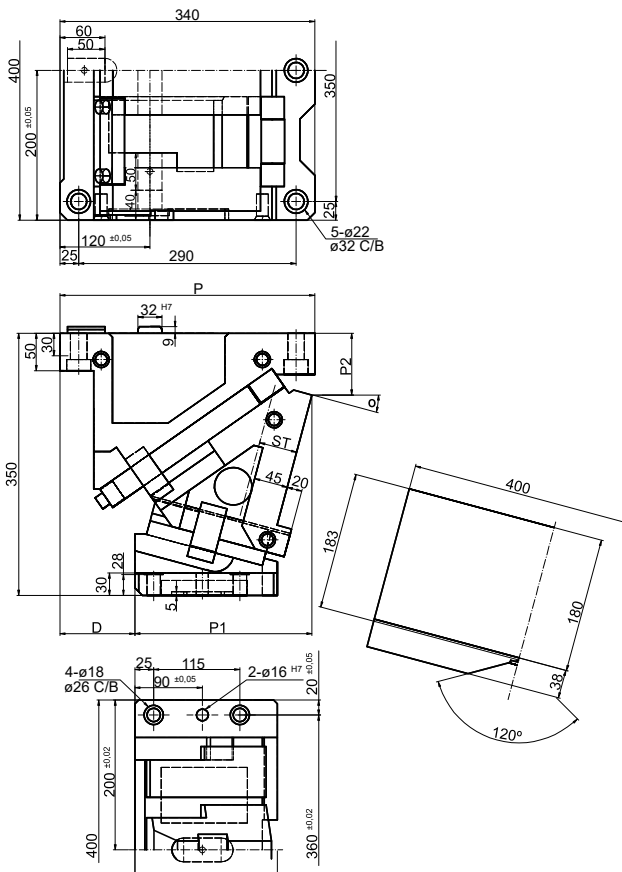
K: Key width 32 mm assemble

| Code        | W<br>Working Face<br>mm | θ<br>Working Angle<br>° | ST<br>Stroke<br>mm | P<br>mm | P1<br>mm | P2<br>mm | D<br>mm | Max Work Force<br>kN | Spring               |
|-------------|-------------------------|-------------------------|--------------------|---------|----------|----------|---------|----------------------|----------------------|
|             |                         |                         |                    |         |          |          |         |                      | Max Work Force<br>kN |
| CSBM.300x0  | 300                     | 0                       | 38,6               | 313     | 175      | 58       | 138     | 411                  | 5,46                 |
| CSBM.300x5  | 300                     | 5                       | 42,6               | 320,64  | 195,64   | 64,34    | 125     | 411                  | 5,46                 |
| CSBM.300x10 | 300                     | 10                      | 46,7               | 331,08  | 216,08   | 72,47    | 115     | 411                  | 5,46                 |
| CSBM.300x15 | 300                     | 15                      | 50,9               | 336,17  | 236,17   | 83,37    | 100     | 411                  | 5,46                 |
| CSBM.300x20 | 300                     | 20                      | 55,3               | 340,76  | 255,76   | 94       | 85      | 411                  | 5,46                 |
| CSBM.300x25 | 300                     | 25                      | 60                 | 344,69  | 274,69   | 102,32   | 70      | 411                  | 5,46                 |
| CSBM.300x30 | 300                     | 30                      | 65,1               | 347,83  | 292,83   | 112,25   | 55      | 411                  | 5,46                 |
| CSBM.300x35 | 300                     | 35                      | 70,8               | 355,03  | 310,03   | 123,73   | 45      | 411                  | 5,46                 |
| CSBM.300x40 | 300                     | 40                      | 77,1               | 351,17  | 326,17   | 136,66   | 25      | 411                  | 5,46                 |
| CSBM.300x45 | 300                     | 45                      | 84,5               | 356,12  | 341,12   | 150,95   | 15      | 411                  | 5,46                 |
| CSBM.300x50 | 300                     | 50                      | 93,3               | 348,77  | 354,77   | 161,49   | -6      | 411                  | 5,46                 |
| CSBM.300x55 | 300                     | 55                      | 104,6              | 352,01  | 367,01   | 178,84   | -15     | 411                  | 4,25                 |
| CSBM.300x60 | 300                     | 60                      | 120                | 332,75  | 377,75   | 195,83   | -45     | 411                  | 4,25                 |

Continue next page...

How to order: Code + W x θ

CARROS AÉREOS CSBM  
AERIAL CAM UNITS CSBM



CSBM 400

Mounting Method

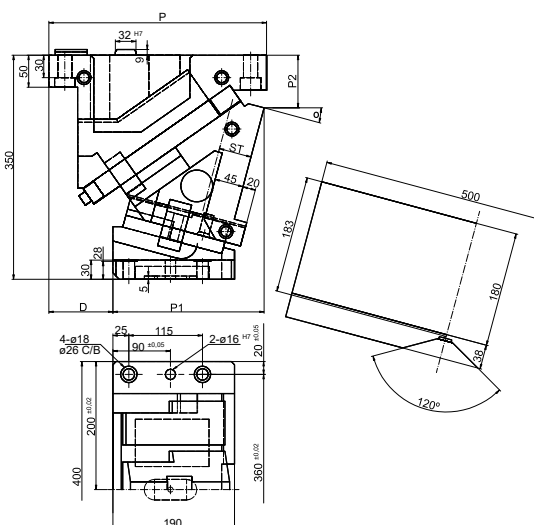
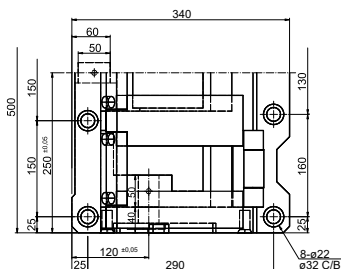
K: Key width 32 mm assemble

| Code        | W<br>Working Face<br>mm | θ<br>Working Angle<br>° | ST<br>Stroke<br>mm | P<br>mm | P1<br>mm | P2<br>mm | D<br>mm | Max Work Force<br>kN | Spring<br>Extraction Force |
|-------------|-------------------------|-------------------------|--------------------|---------|----------|----------|---------|----------------------|----------------------------|
|             |                         |                         |                    |         |          |          |         |                      | kN                         |
| CSBM.400x0  | 400                     | 0                       | 38,6               | 313     | 175      | 58       | 138     | 526                  | 5,46                       |
| CSBM.400x5  | 400                     | 5                       | 42,6               | 320,64  | 195,64   | 64,34    | 125     | 526                  | 5,46                       |
| CSBM.400x10 | 400                     | 10                      | 46,7               | 331,08  | 216,08   | 72,47    | 115     | 526                  | 5,46                       |
| CSBM.400x15 | 400                     | 15                      | 50,9               | 336,17  | 236,17   | 83,37    | 100     | 526                  | 5,46                       |
| CSBM.400x20 | 400                     | 20                      | 55,3               | 340,76  | 255,76   | 94       | 85      | 526                  | 5,46                       |
| CSBM.400x25 | 400                     | 25                      | 60                 | 344,69  | 274,69   | 102,32   | 70      | 526                  | 5,46                       |
| CSBM.400x30 | 400                     | 30                      | 65,1               | 347,83  | 292,83   | 112,25   | 55      | 526                  | 5,46                       |
| CSBM.400x35 | 400                     | 35                      | 70,8               | 355,03  | 310,03   | 123,73   | 45      | 526                  | 5,46                       |
| CSBM.400x40 | 400                     | 40                      | 77,1               | 351,17  | 326,17   | 136,66   | 25      | 526                  | 5,46                       |
| CSBM.400x45 | 400                     | 45                      | 84,5               | 356,12  | 341,12   | 150,95   | 15      | 526                  | 5,46                       |
| CSBM.400x50 | 400                     | 50                      | 93,3               | 348,77  | 354,77   | 161,49   | -6      | 526                  | 5,46                       |
| CSBM.400x55 | 400                     | 55                      | 104,6              | 352,01  | 367,01   | 178,84   | -15     | 526                  | 4,25                       |
| CSBM.400x60 | 400                     | 60                      | 120                | 332,75  | 377,75   | 195,83   | -45     | 526                  | 4,25                       |

Continue next page...

How to order: Code + W x θ

## CARROS AÉREOS CSBM AERIAL CAM UNITS CSBM



### CSBM 500

#### Mounting Method

K: Key width 32 mm assemble

| Code        | W<br>Working Face<br>mm | θ<br>Working Angle<br>° | ST<br>Stroke<br>mm | P<br>mm | P1<br>mm | P2<br>mm | D<br>mm | Max Work Force<br>kN | Spring<br>Extraction Force<br>kN |
|-------------|-------------------------|-------------------------|--------------------|---------|----------|----------|---------|----------------------|----------------------------------|
|             |                         |                         |                    |         |          |          |         |                      | kN                               |
| CSBM.500x0  | 500                     | 0                       | 38,6               | 313     | 175      | 58       | 138     | 743                  | 8,19                             |
| CSBM.500x5  | 500                     | 5                       | 42,6               | 320,64  | 195,64   | 64,34    | 125     | 743                  | 8,19                             |
| CSBM.500x10 | 500                     | 10                      | 46,7               | 331,08  | 216,08   | 72,47    | 115     | 743                  | 8,19                             |
| CSBM.500x15 | 500                     | 15                      | 50,9               | 336,17  | 236,17   | 83,37    | 100     | 743                  | 8,19                             |
| CSBM.500x20 | 500                     | 20                      | 55,3               | 340,76  | 255,76   | 94       | 85      | 743                  | 8,19                             |
| CSBM.500x25 | 500                     | 25                      | 60                 | 344,69  | 274,69   | 102,32   | 70      | 743                  | 8,19                             |
| CSBM.500x30 | 500                     | 30                      | 65,1               | 347,83  | 292,83   | 112,25   | 55      | 743                  | 8,19                             |
| CSBM.500x35 | 500                     | 35                      | 70,8               | 355,03  | 310,03   | 123,73   | 45      | 743                  | 8,19                             |
| CSBM.500x40 | 500                     | 40                      | 77,1               | 351,17  | 326,17   | 136,66   | 25      | 743                  | 8,19                             |
| CSBM.500x45 | 500                     | 45                      | 84,5               | 356,12  | 341,12   | 150,95   | 15      | 743                  | 8,19                             |
| CSBM.500x50 | 500                     | 50                      | 93,3               | 348,77  | 354,77   | 161,49   | -6      | 743                  | 8,19                             |
| CSBM.500x55 | 500                     | 55                      | 104,6              | 352,01  | 367,01   | 178,84   | -15     | 743                  | 6,37                             |
| CSBM.500x60 | 500                     | 60                      | 120                | 332,75  | 377,75   | 195,83   | -45     | 743                  | 6,37                             |

Continue next page...

How to order: Code + W x θ

